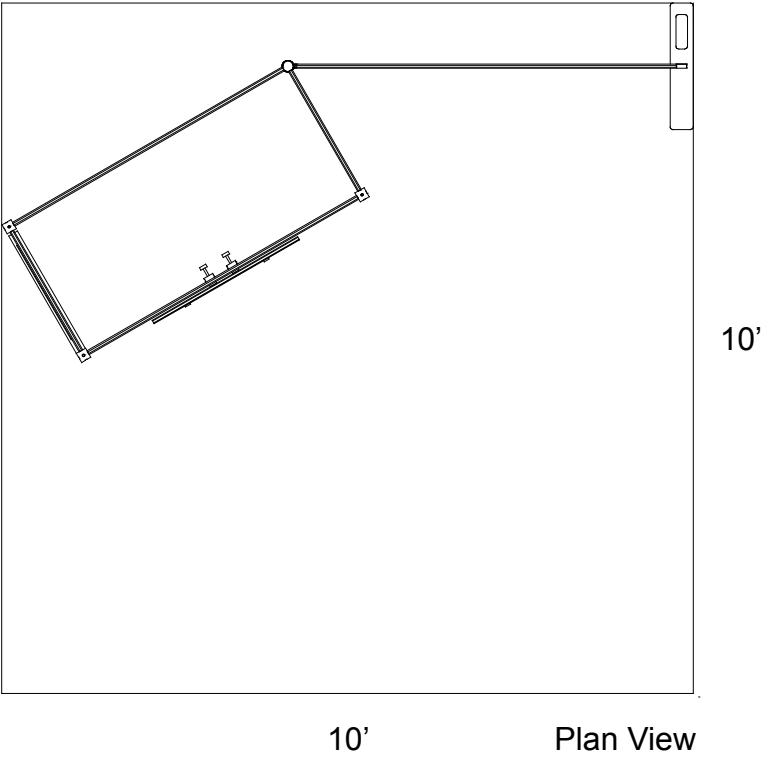
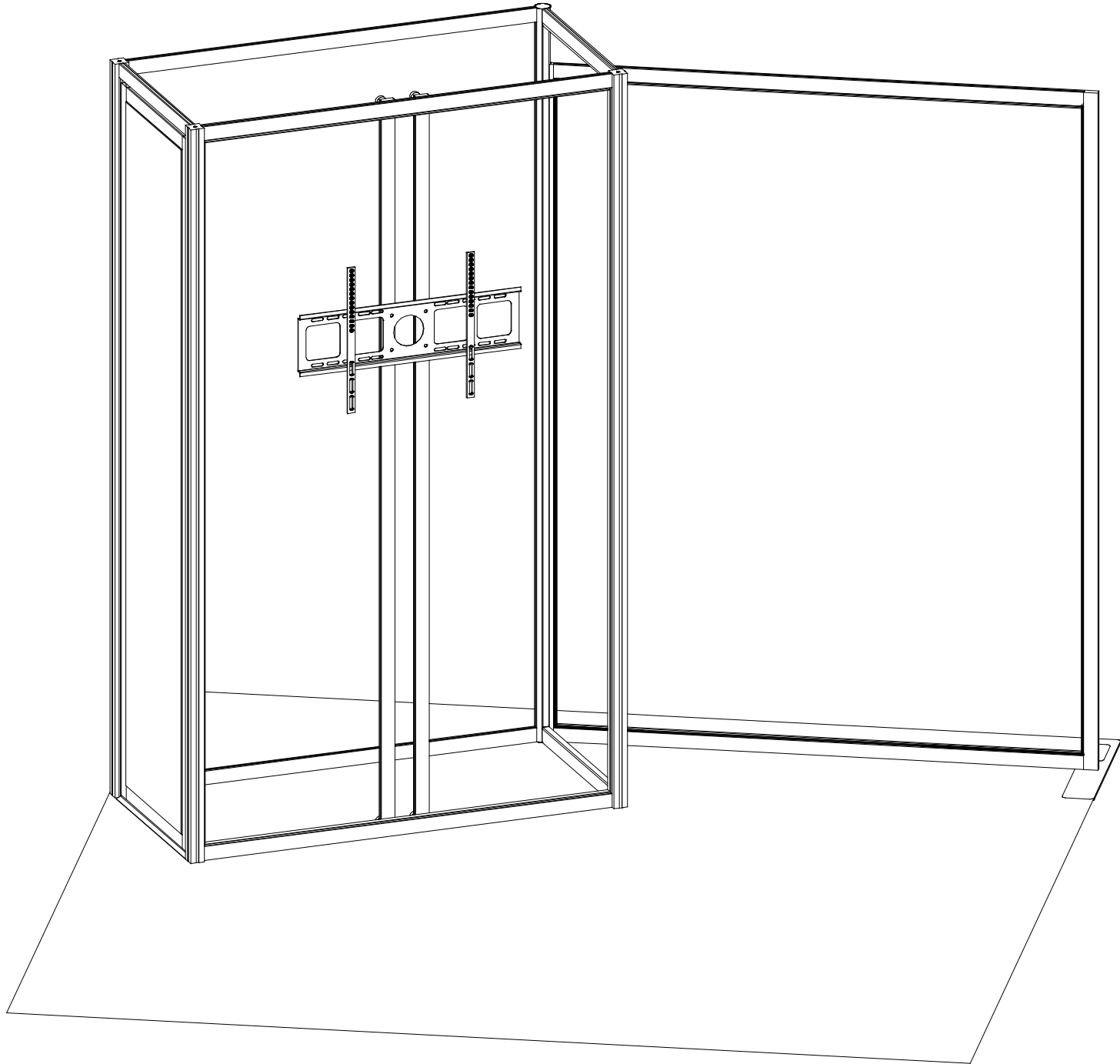


Order #XXXXX - ECO-2059 Sustainable Exhibit - 10'x10' Configuration



General Setup Instructions

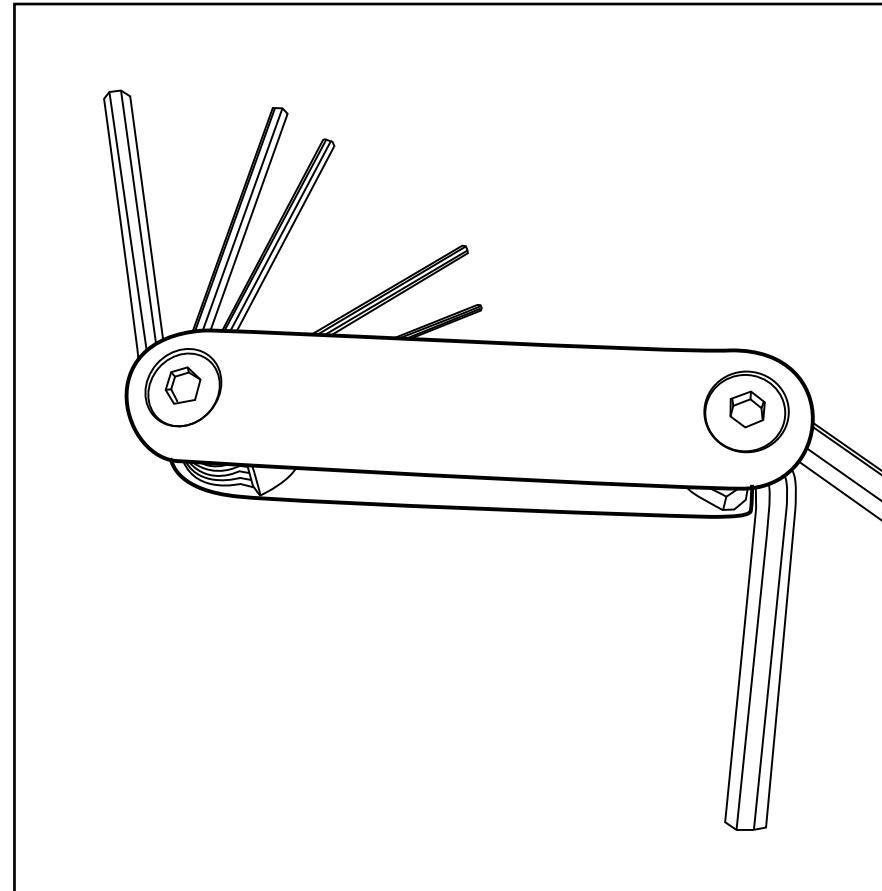
- The setup instructions are created specifically for your configuration.
- Setup instructions are laid out sequentially in levels, including exploded views and a logical series of steps for assembly. We encourage you to study the instructions before attempting to assemble your exhibit.

Cleaning and Packing

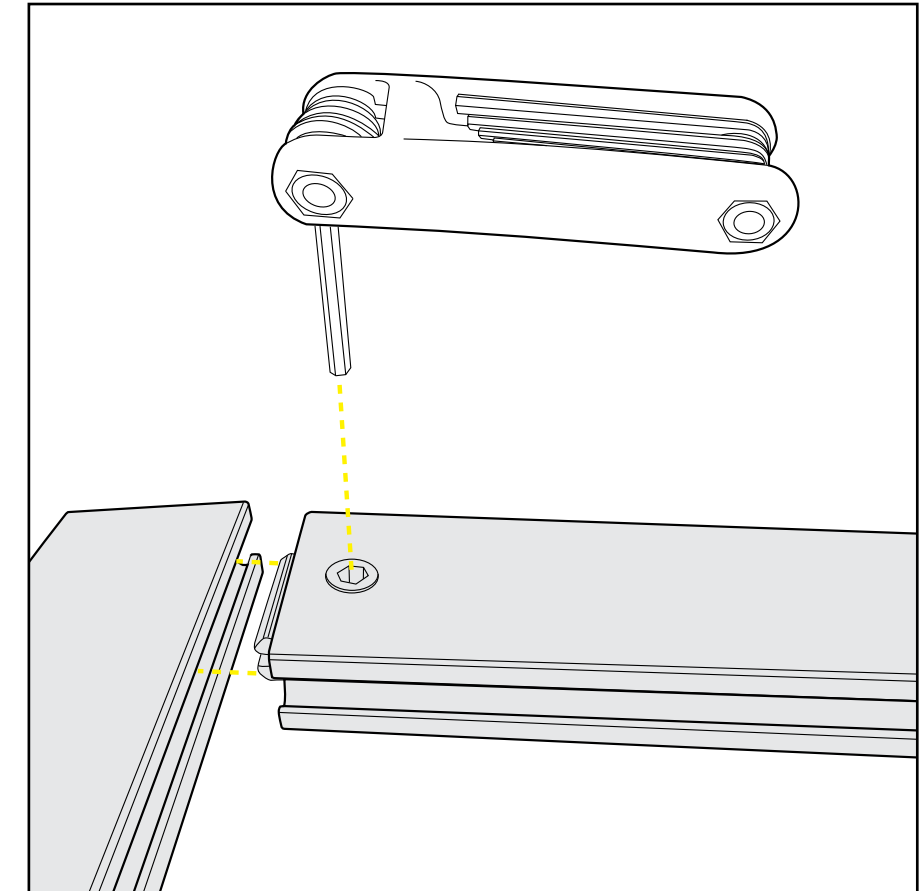
- Use non-abrasive cleaners when cleaning extrusions or ECO Glass inserts.
- Use mild cleaners and soft materials such as cotton to clean all laminates.
- Keep exhibit components away from extreme heat and long exposure to sun light. This will prevent warping and fading.
- Retain all packing material for ease of re-packing. This protects the exhibit components and keeps each part organized.

Disassembling

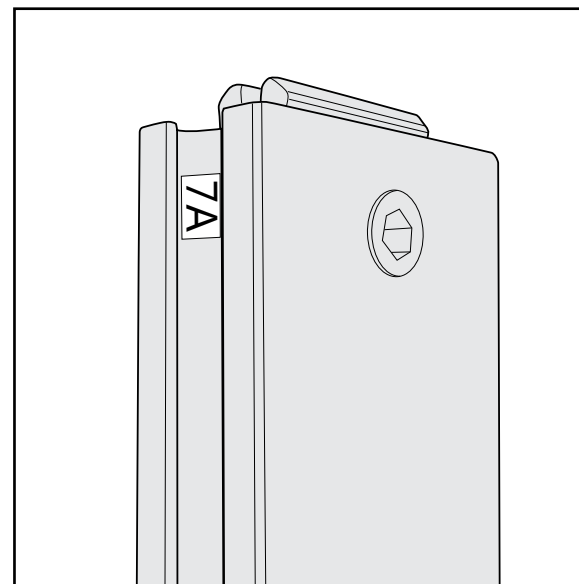
- When disassembling exhibit, tighten all setscrews to prevent loss of hardware in the shipping process.



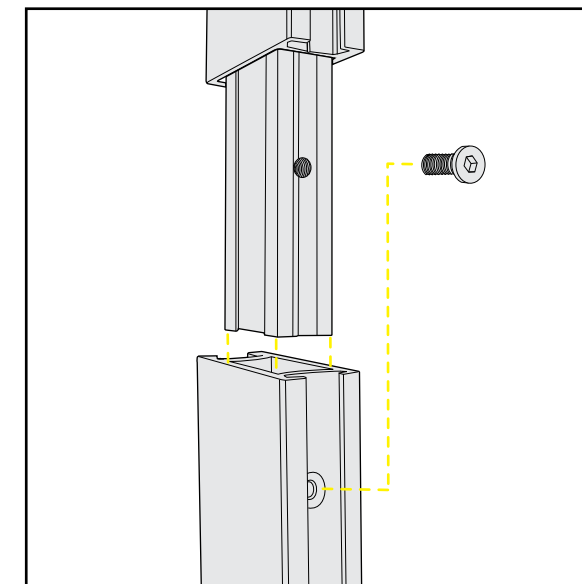
Hex Tool for Assembling Exhibit



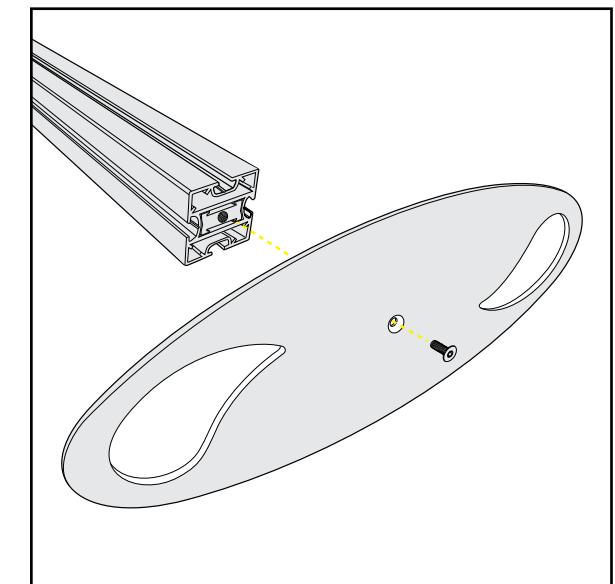
Extrusion Lock Connectors



Numbering Instructions for Setups/Packing



Inline Connection between Extrusions



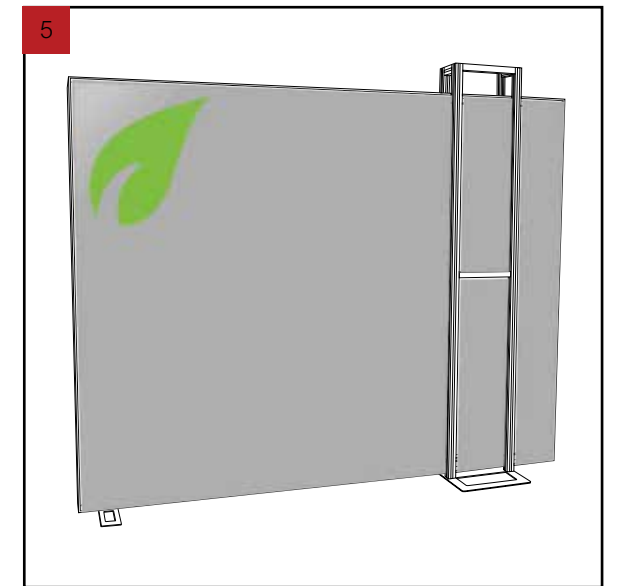
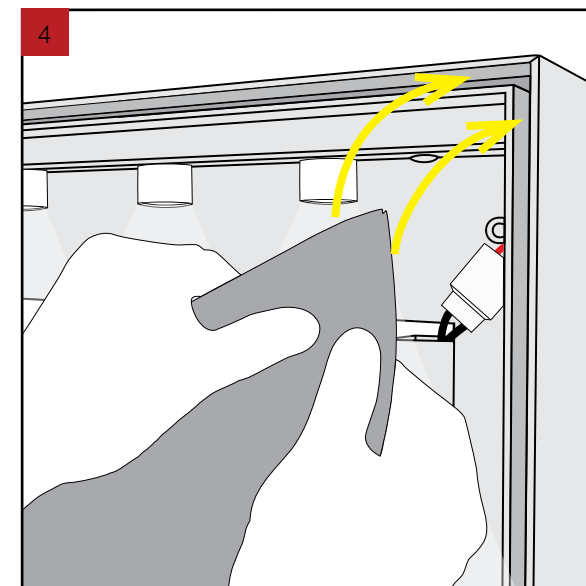
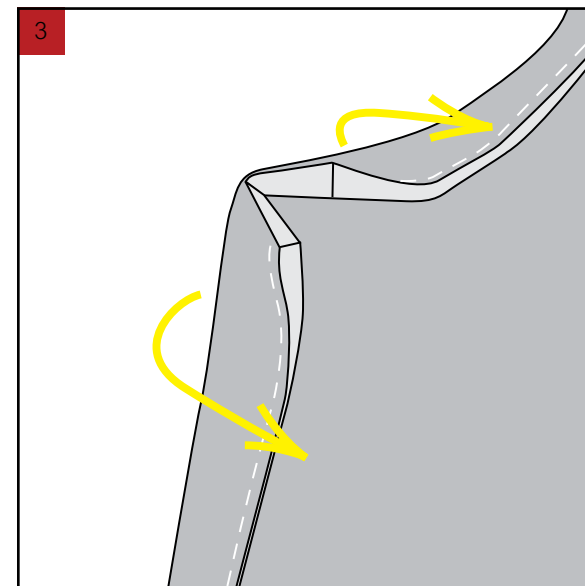
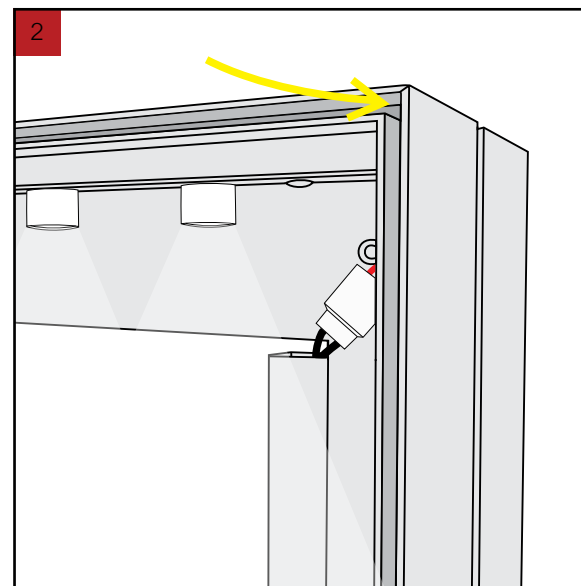
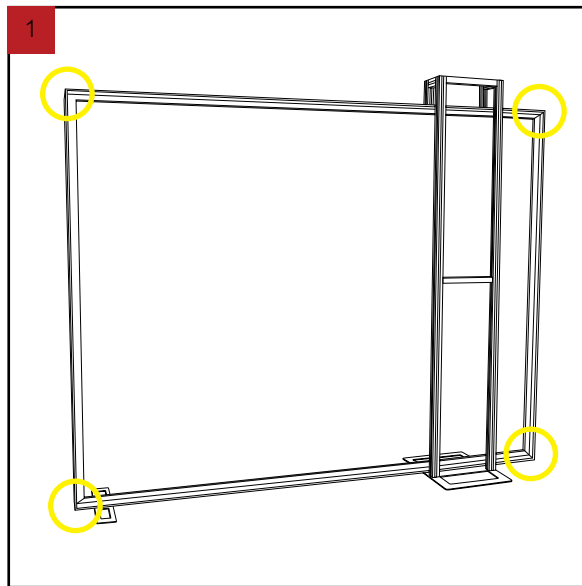
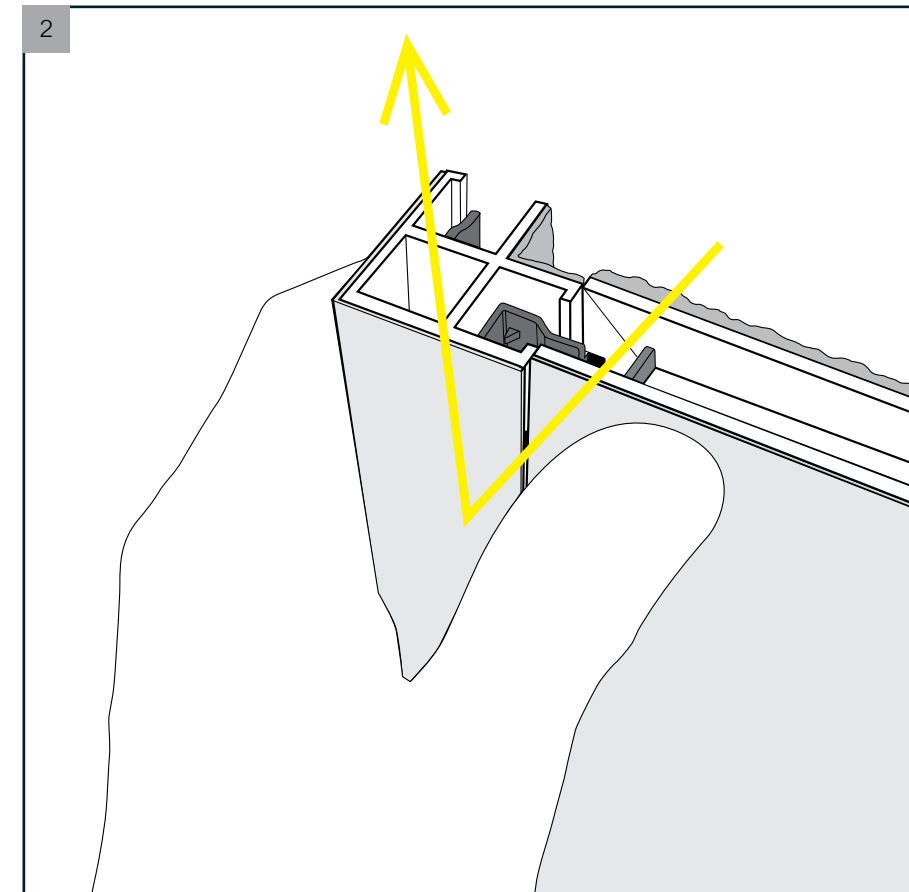
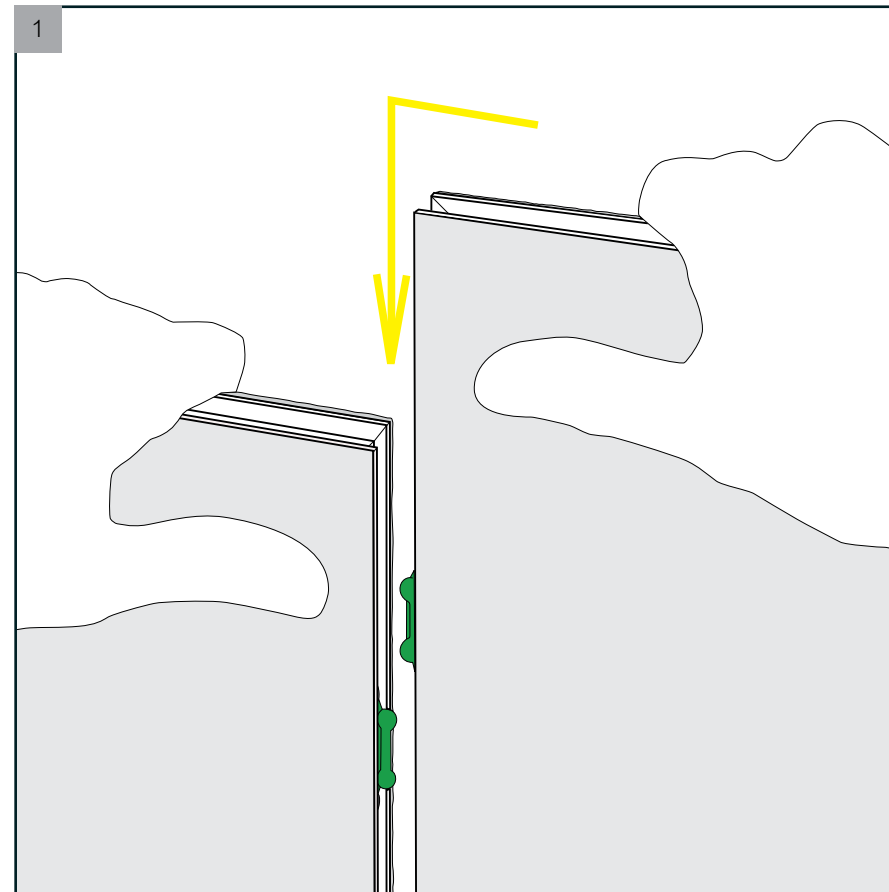
Baseplate Connection for Vertical Extrusions

ECO Panel Install

- 1 Place ECO panel together with a vertical offset, slide down to lock connector in place.
- 2 Panel Corner Connectors are installed just like ECO panels. Remove by off-setting top lock clips horizontally followed by separating vertically.

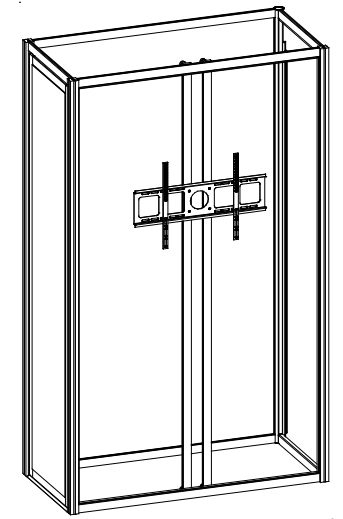
SEG Graphic Install

- 1 Graphic is installed corners first. This allows a proportional fit around the perimeter of the extrusion.
- 2 Locate channels along the edge of the extrusions.
- 3 Fold over graphic (hiding threads) and tuck silicon edge and fabric into corners.
- 4 After corners are complete, slide in the rest of the graphic into channel. (From edges to center)
- 5 Graphic is installed. Stand back and be amazed!

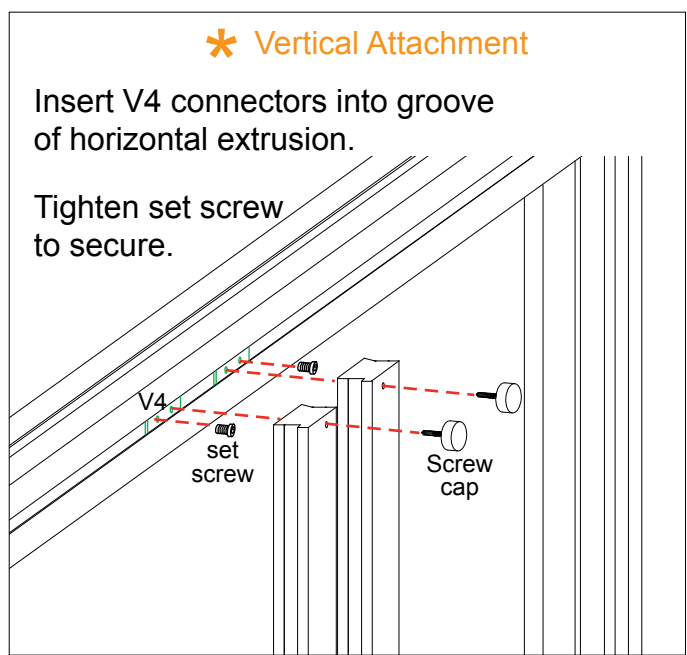
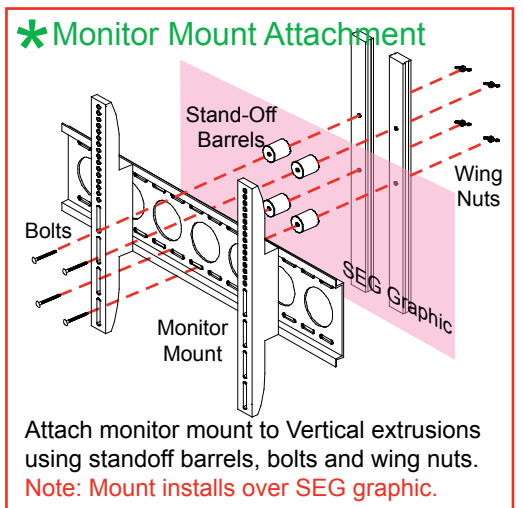
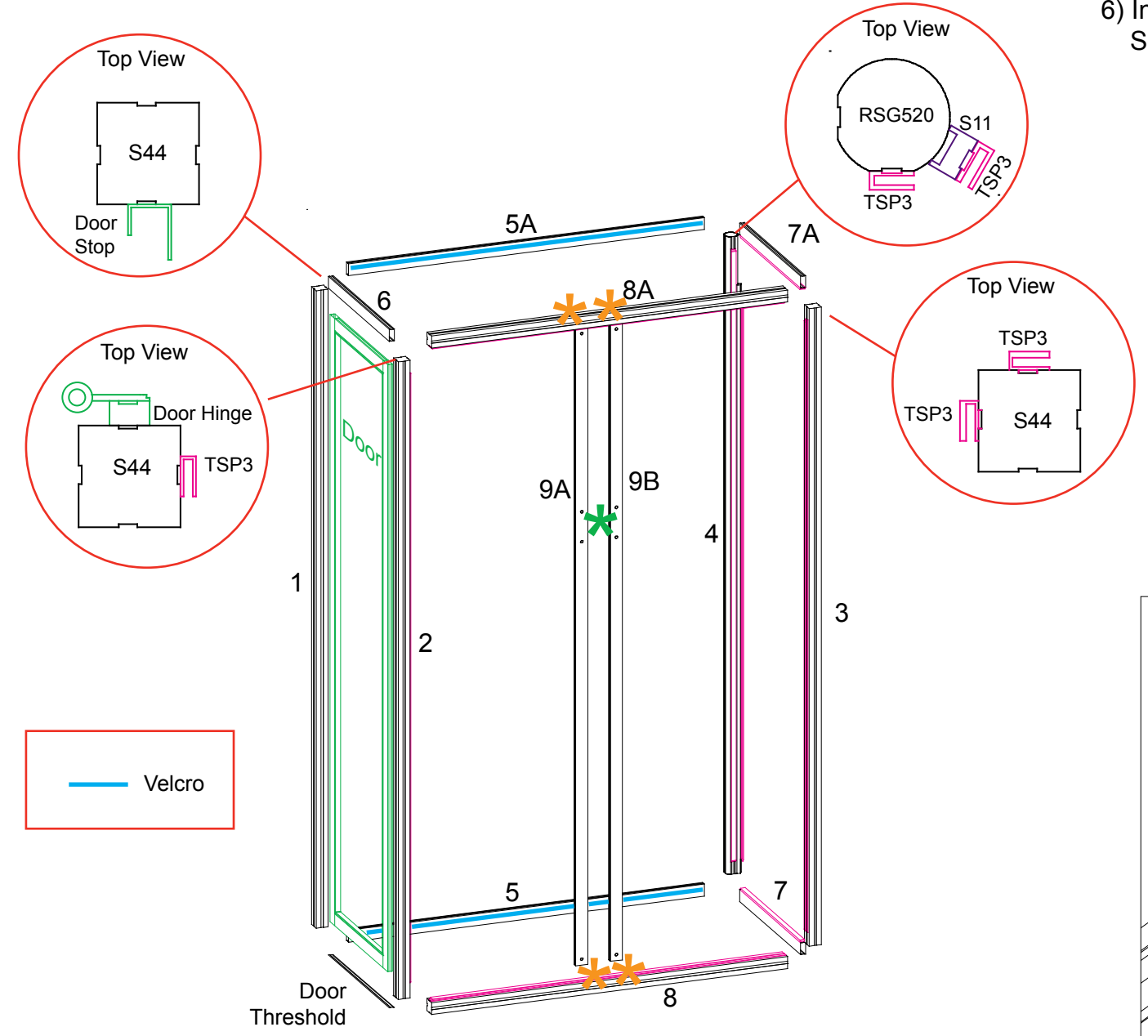


Item	Qty.	Description
1	1	96" h S44 Vertical Extrusion w/ Door Hinge
2	1	96" h S44 Vertical Extrusion w/ Door Stop & attached TSP3
3	1	96" h S44 Vertical Extrusion w/ attached TSP3
4	1	96" h RSG520 Vertical Extrusion w/ attached TSP3 & S11
5/5A	1/1	54" w Z45 Horizontal Extrusion w/ attached Velcro
6	1	24" w Z45 Horizontal Extrusion
7/7A	1/1	24" w Z45 Horizontal Extrusion w/ attached TSP3
8/8A	1/1	54" w Z45 Horizontal Extrusion w/ attached TSP3
9/9A	1/1	96" h Z45 Vertical Extrusion

- Steps:
- 1) Attach lower horizontals [5,7,8] & door threshold between verticals [1,2,3,4].
 - 2) Connect upper horizontals [5A,6,7A,8A] between verticals [1,2,3,4].
 - 3) Attach verticals [9A,9B] to horizontals [8,8A], using screw caps. See **Vertical Attachment** detail.
 - 4) Apply SEG graphics to front, right side & door.
 - 5) Attach backer graphic to back side of assembly using Velcro.
 - 6) Install Monitor Mount to verticals [9,9A]. See **Monitor Mount Attachment** detail.



When partly assembled



SEG Graphic Installation

It is important to first insert graphic into each alternate corner then to the sides of the frame. If this is not done, graphic will not fit into the frame correctly.

Step 1
 Insert corner A. Turn edge of graphic so silicon welt is perpendicular to face of graphic. Insert narrow side of welt with fabric to outside into the channel. Repeat for other side of this corner.

Step 2
 Repeat Step 1 for opposite corner C, then insert corner B, followed by corner D, to complete the installation of the corners.

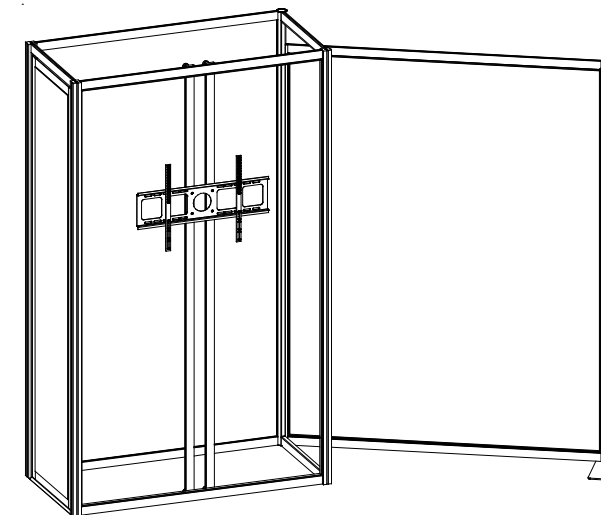
Graphic Removal

Step 3
 Once all corners are inserted, press one silicon edge into channel from corners and work toward the center. Make sure welt is fully inserted into channel. Continue until all sides are done. Smooth out edges of graphic.

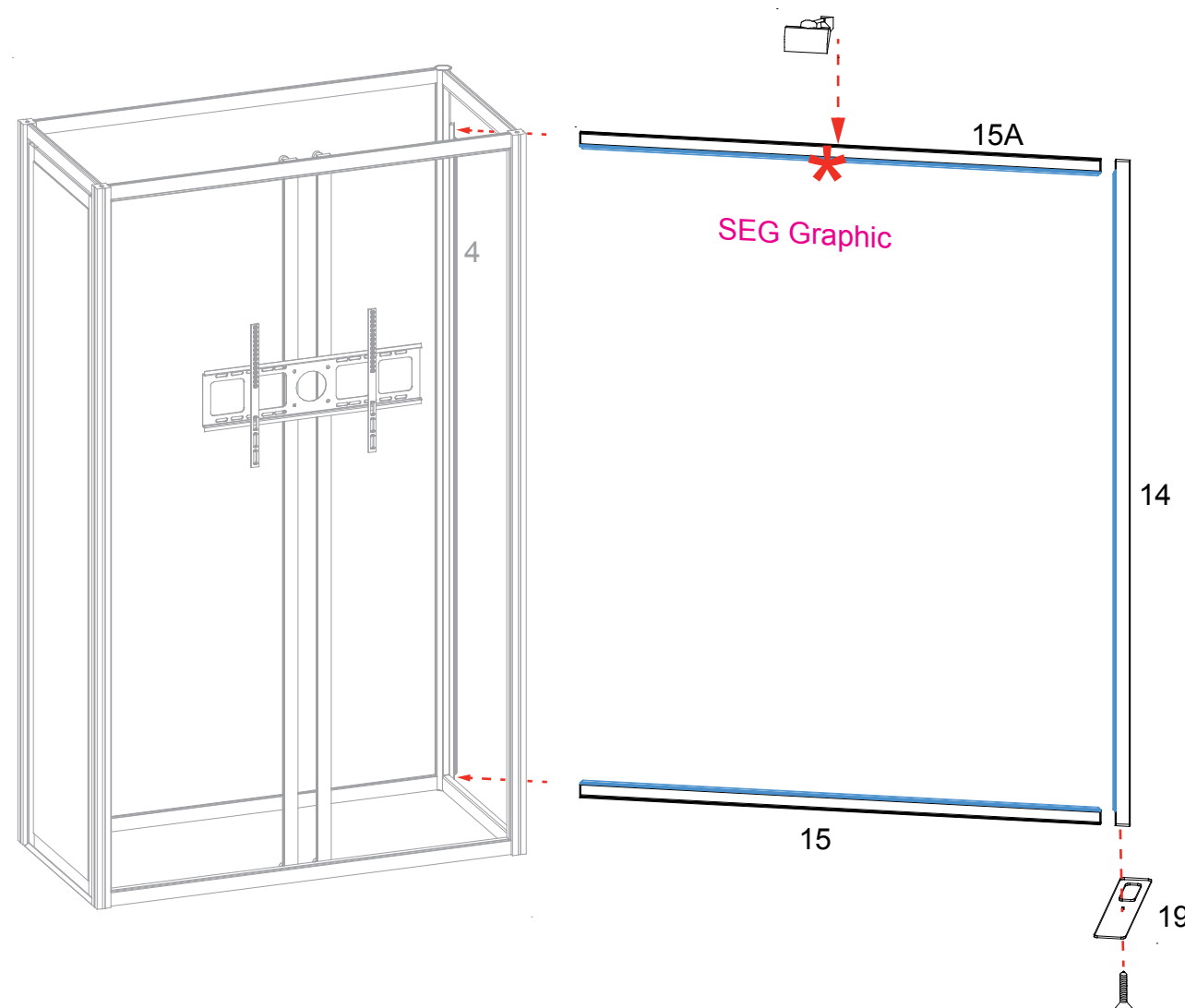
To remove the graphic from the frame, locate the fabric pull tab. Gently pull up on the tab to remove the fabric.

Item	Qty.	Description
14	1	88.583”h Z45 Vertical Extrusion w/ attached TSP3
15/15A	1/1	66”w Z45 Horizontal Extrusion w/ attached TSP3
19	1	Base Plate

- Steps:
- 1) Attach Base Plate to vertical [14] using bolt.
 - 2) Connect horizontals [15,15A] between vertical [14] and vertical [4] of assembled closet.
 - 3) Apply SEG graphic to assembly.
 - 4) Install lights as shown. See **Light Attachment** detail.



When assembled



*** Light Attachment**

Lock Clip into Groove of Horizontal Extrusion, then slide Light onto Clip.

Lock into groove of horizontal

Slide light into light receiving hardware