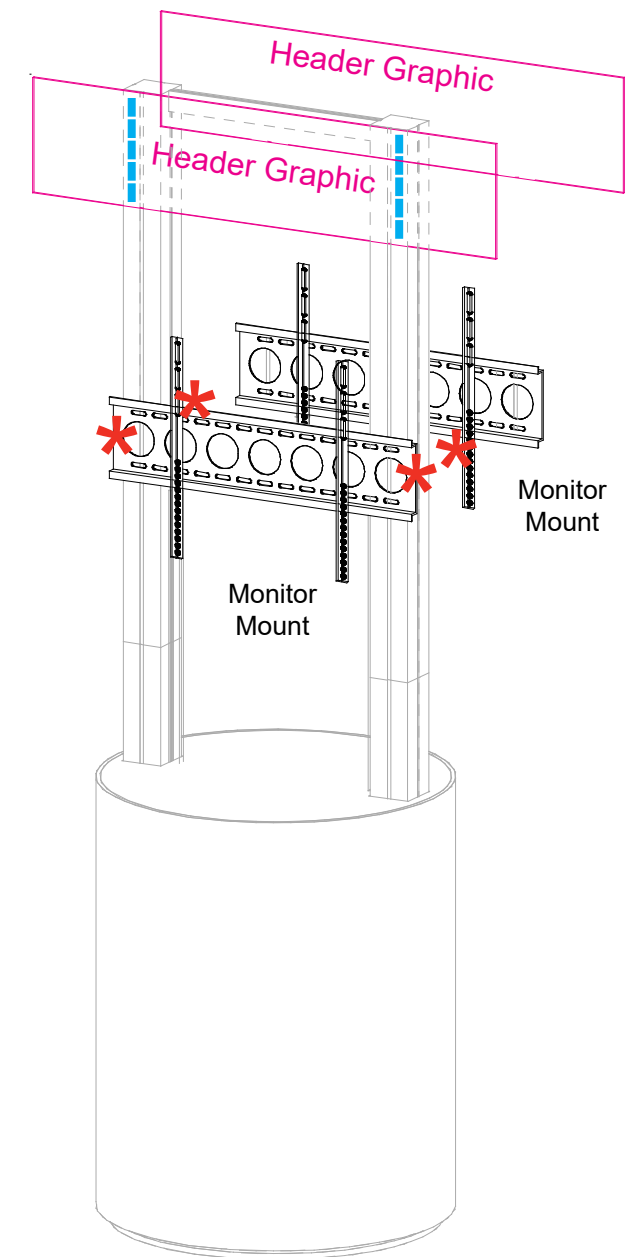
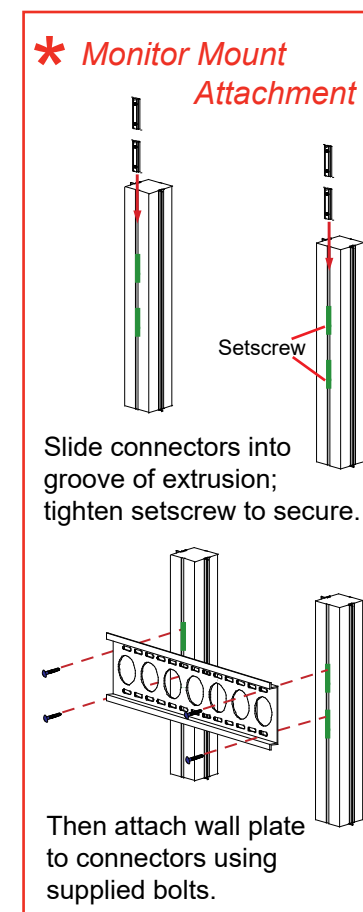
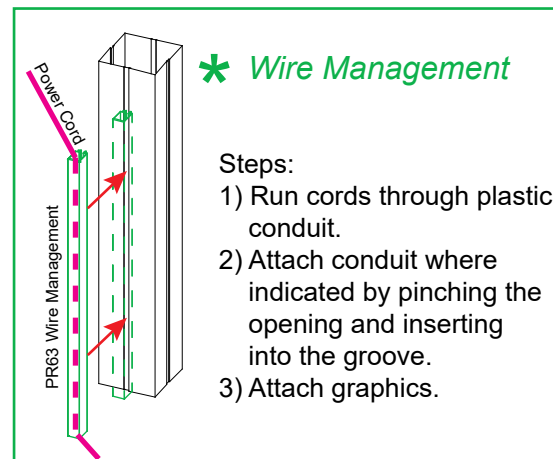
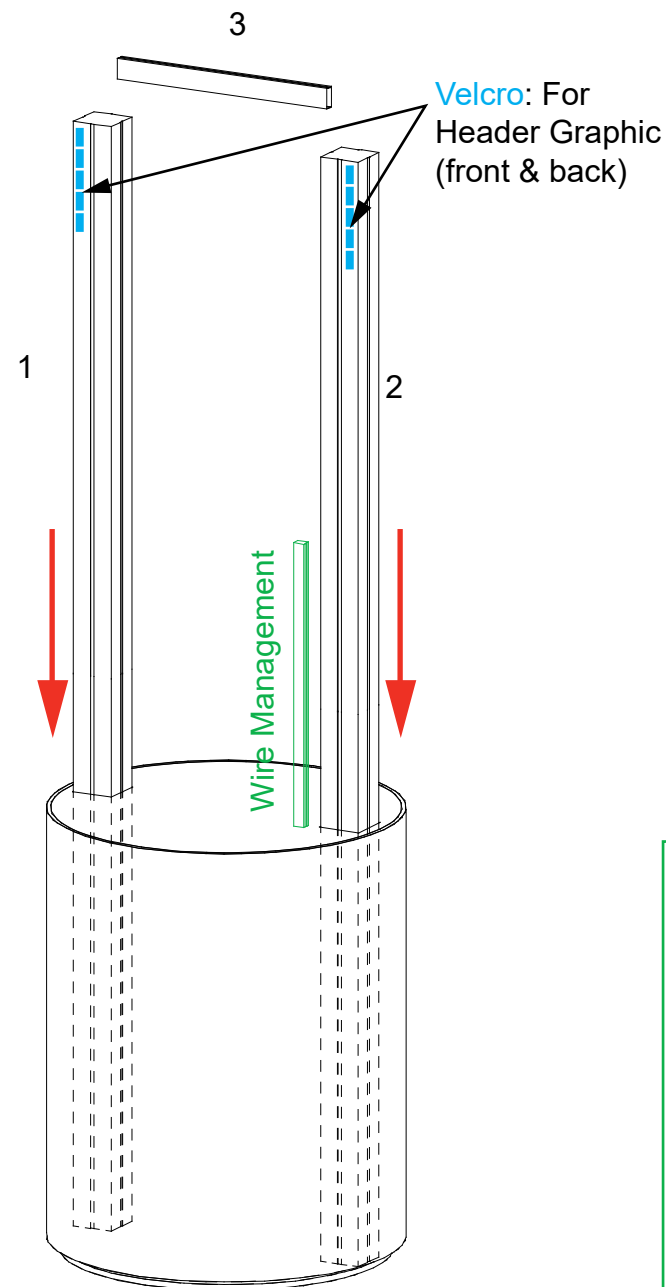


Item	Qty.	Description
1	1	95.5”h Vertical Extrusion
2	1	47.75”h Vertical Extrusion
3	1	19.917”w Z45 Horizontal Extrusion
--	1	Large Round Base

- Steps:
- 1) Slide verticals [1] & [2] into the square holes in top of base.
 - 2) Attach horizontal [3] between verticals [1] & [2].
 - 3) Install Monitor Mounts to verticals.
See **Monitor Mount Attachment** detail.
 - 4) Attach Header Graphics to Velcro installed on verticals.



SETUP INSTRUCTIONS

General Setup Instructions

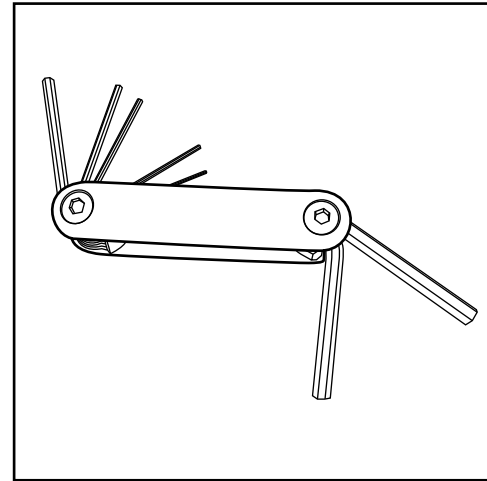
- Read entire setup instruction manual prior to unpacking parts and pieces.
- The setup instructions are created specifically for this configuration.
- Setup instructions are laid out sequentially in steps, including exploded views with detailed explanation for assembly.

Cleaning & Packing

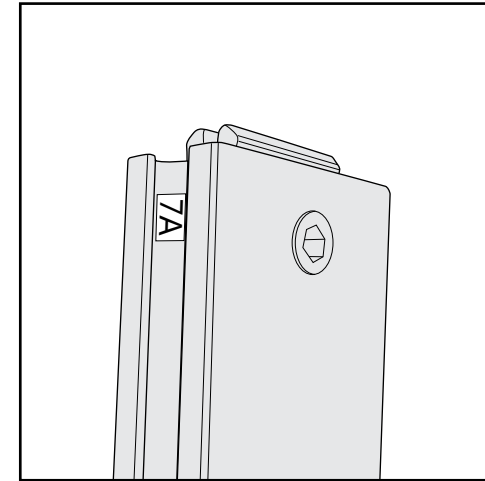
- For Cleaning Metal, Plex, & Laminate Parts: Use a **MILD NON-ABRASIVE** cleanser and soft cloth/paper towel to clean all surfaces.
- Keep exhibit components away from heat and prolonged sun exposure.
Heat and UV exposure will warp and fade components.
- Retain all provided Packing Materials. All provided packing materials are for ease of repacking & component protection.

Disassembly

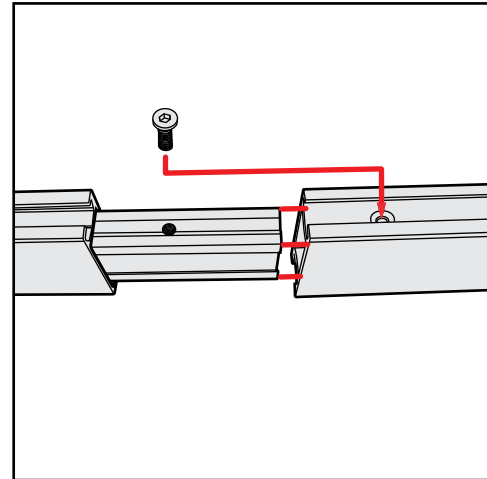
- For loss prevention, tighten all set screws and locks during disassembly.



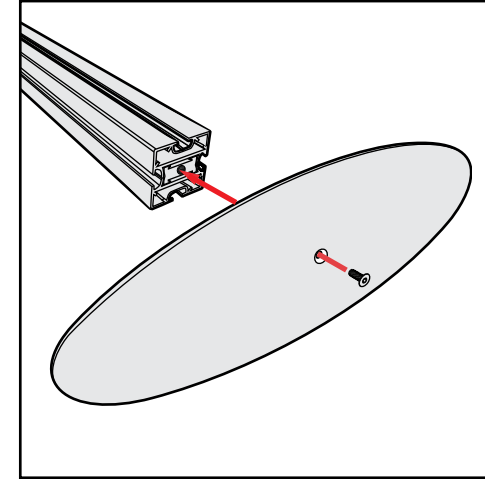
Hex Tool - Essential for Assembly



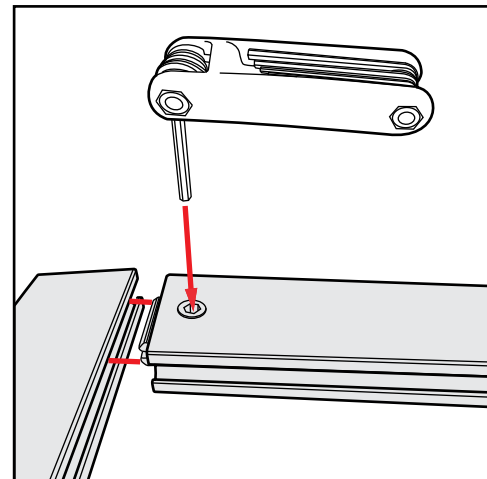
Part Identification - Numbering



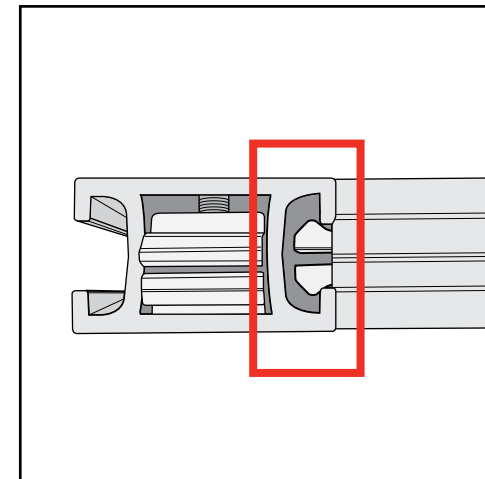
Spline Connection



Base Plate & Extrusion Connection



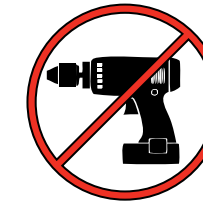
Extrusion & Lock Connection



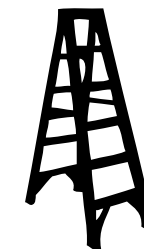
Engaged Lock



WARNING



DO NOT USE POWER TOOLS



LADDERS OR LIFTS
MAY BE REQUIRED



ALL CONNECTIONS MUST
BE TIGHTLY SECURED

CRATE PACKING